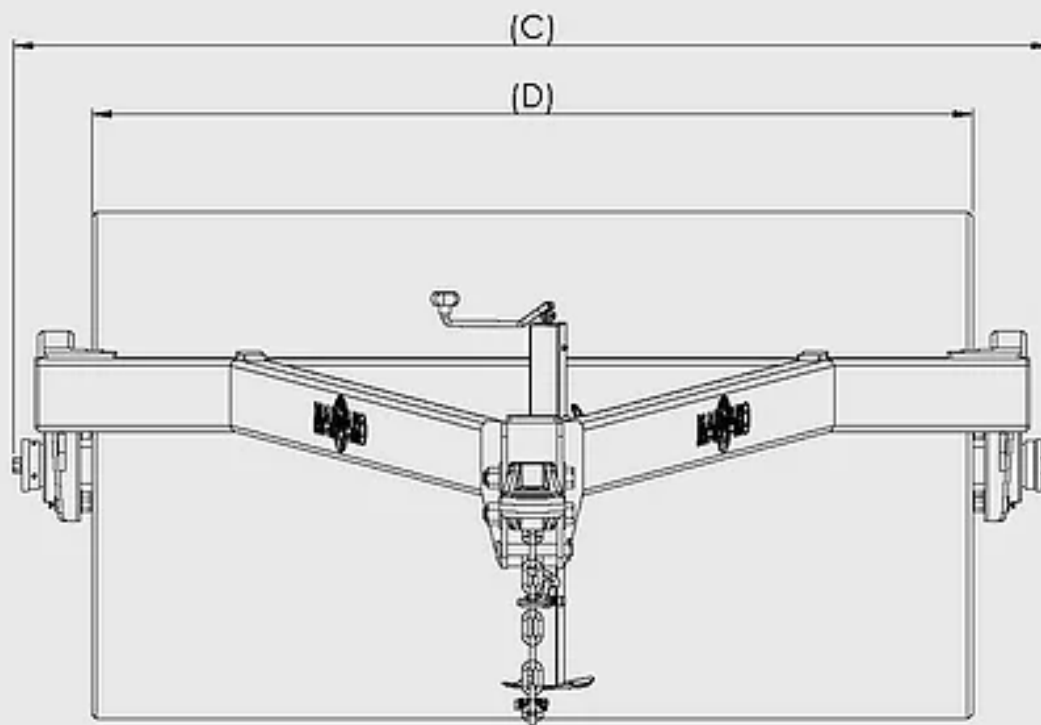
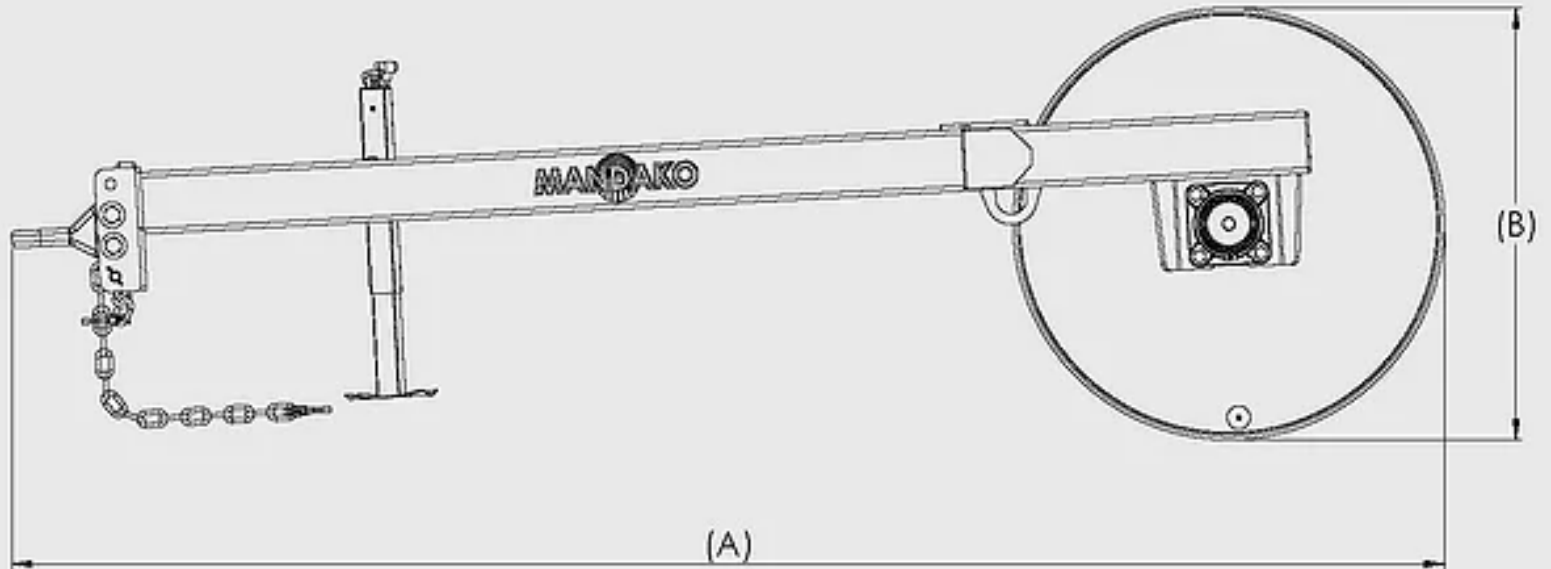


# SINGLE LAND ROLLER SPECIFICATIONS



Dimension	Unit Size						
	4'	6'	8'	10'	12'	15'	20'
Transport Length (A)	11'-8"	11'-8"	11'-8"	11'-8"	11'-8"	11'-8"	11'-8"
Overall Height (B)	3' / 3'-6"	3' / 3'-6"	3' / 3'-6"	3' / 3'-6"	3' / 3'-6"	3' / 3'-6"	3' / 3'-6"
Overall Width (C)	5'-2"	7'-2"	9'-2"	11'-1"	13'-1"	16'-1"	21'-1"
Working Width (D)	4'-1"	6'-1"	8'-1"	10'-1"	12'-1"	15'-1"	20'-1"
Horsepower Req.	24+	24+	32+	40+	48+	60+	80+
Approx. Weight (lbs/ft) 42" x 3/4" Drum	540	490	455	445	430	410	395
Drum Size	36" x 1/2" W   42" x 5/8" W   42" x 3/4" W						