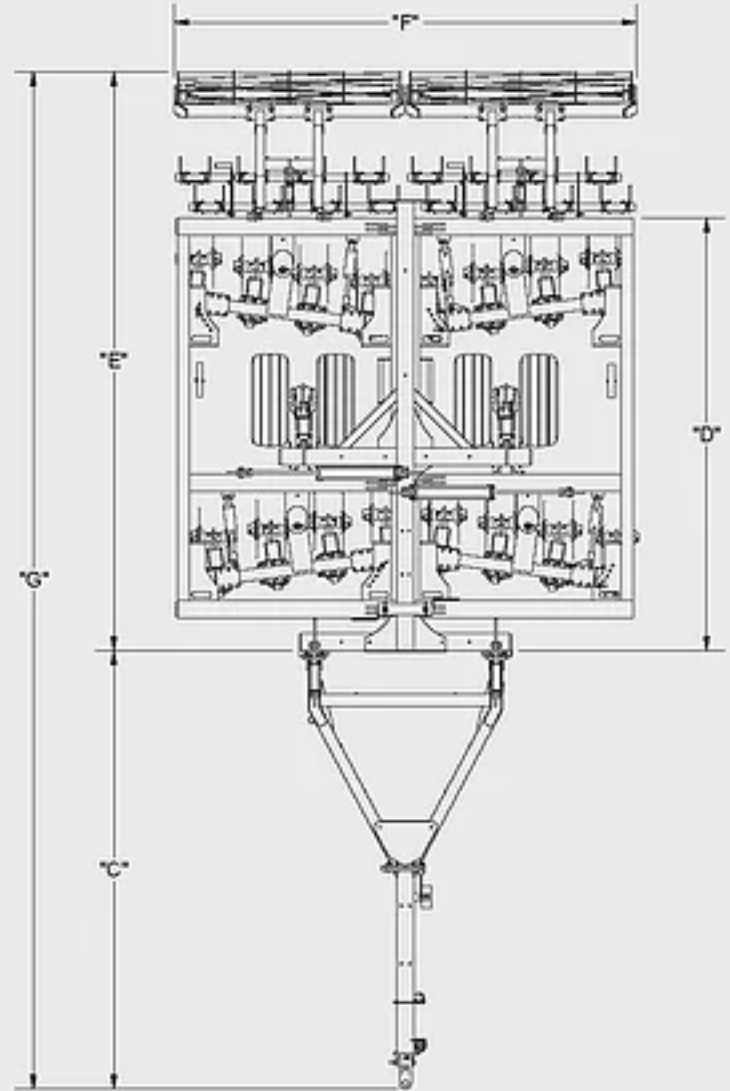
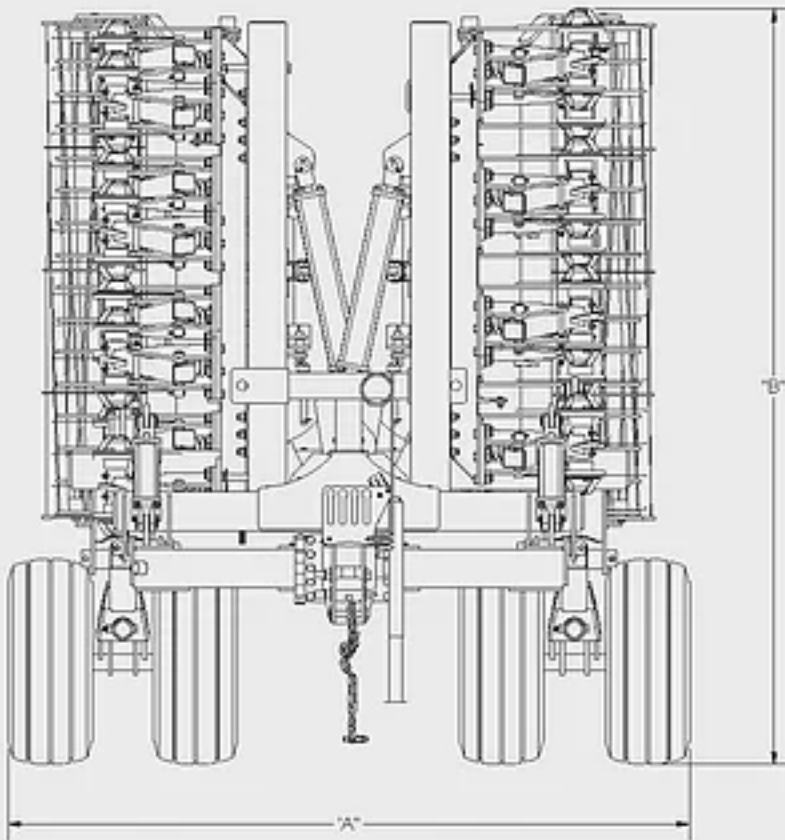


# STORM (EURO) SPECIFICATIONS



Dimension	Unit Size	
	13'	20'
Frame Sections	2	2
Transport Width (A)	9'-8"	11'-2"
Transport Height (B)	9'-9"	12'-9"
Hitch Length (C)	12'-7"	12'-7"
Blade Working Length (D)	12'-6"	12'-6"
Complete Working Length (E)	16'-8"	16'-8"
Working Width (F)	13'-4"	20'-3"
Transport Length (G)	29'-3"	29'-3"
Depth Capabilities	1"-5"	1"-5"
Angle Adjustability	0°-14°	0°-14°
Coulter Blade Spacing	10"	10"
Effective Cut Spacing	5"	5"
Tine Spacing (2-row)	5"	5"
Tine Spacing (3-row)	3-3/8"	3-3/8"
Hyd. Req. (@1800PSI)	10 GPM (38 LPM)	10 GPM (38 LPM)
Hyd. Req. (Ports)	4	4
Horsepower Req.	195+	300+
Tire Size	320/70R15 12.5 L	320/70R15 12.5 L