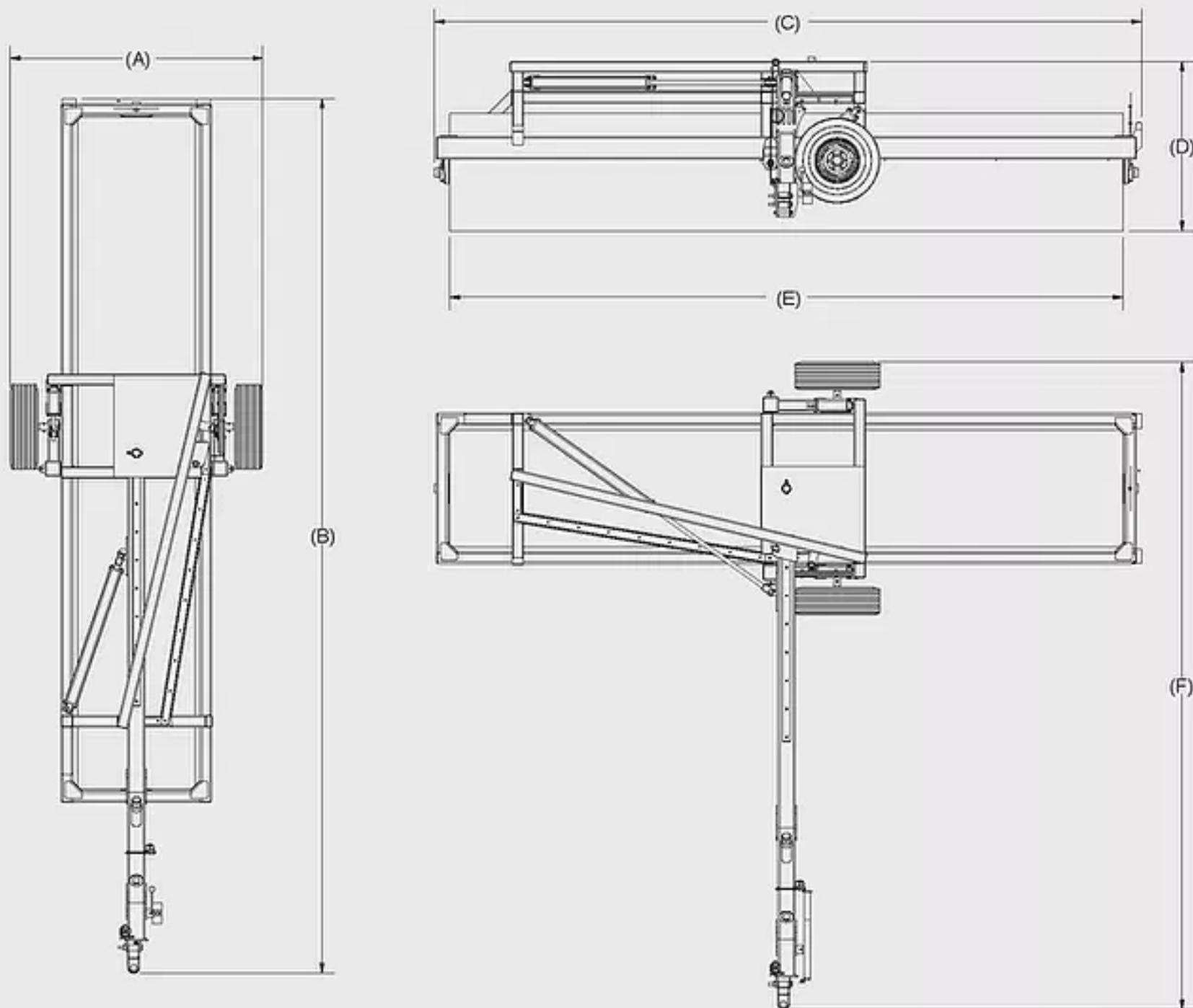


INLINE LAND ROLLER SPECIFICATIONS

MANDAKO



	Unit Size			
Dimension	10'	13'	15'	20'
Transport Width (A)	7'-7"	7'-7"	7'-7"	7'-7"
Transport Length (B)	15'-3"	18'-3"	22'-8"	26'-2"
Overall Width (C)	11'-1"	14'-1"	16'-7"	21'-1"
Overall Height (D)	5'-1"	5'-1"	5'-1"	5'-1"
Working Width (E)	10'-1"	13'-1"	15'-7"	20'-1"
Working Length (F)	15'	15'	18'-2"	19'-4"
Hyd. Req. (@2800PSI)	5 GPM (19 LPM)	5 GPM (19 LPM)	5 GPM (19 LPM)	5 GPM (19 LPM)
Hyd. Req. (Ports)	2	2	2	2
Horsepower Req.	60+	60+	70+	80+
Approx. Weight (lbs/ft) 42" x 5/8"W Drum	675	650	600	525
Drum Size	36" x 1/2" 42" x 5/8" 42" x 3/4"			
Tire Size	ST235/85R16E 14 Ply	ST235/85R16E 14 Ply	ST235/85R16E 14 Ply	ST235/85R16E 14 Ply